

HERALD VOLUNTEER FIREFIGHTERS ASSOCIATION

REFLECTIVE ADDRESS MARKER ORDER FORM

ONLY \$15.00
(UNINSTALLED)

Name: _____

Address: _____

City/State/Zip: _____

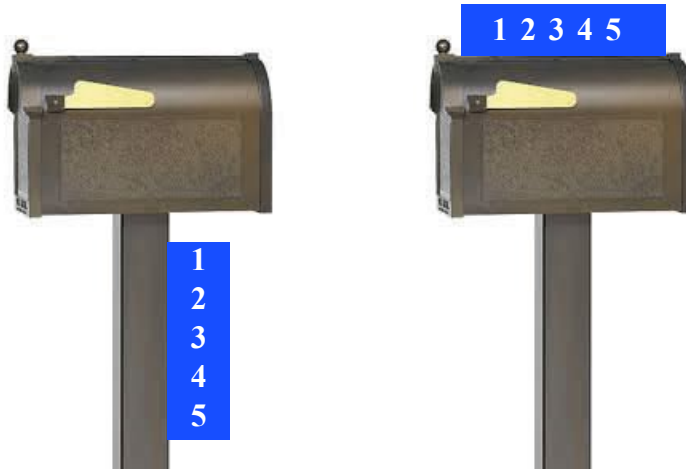
Telephone Number: _____

Signs are pre-drilled, easy to install.

Mounting brackets/hardware not included with sign, but can be purchased at most hardware stores.

ADDRESS:

| | | | | |
|--|--|--|--|--|
| | | | | |
|--|--|--|--|--|



VERTICAL:

HORIZONTAL:

MAKE CHECKS PAYABLE TO: *HERALD VOLUNTEER FIREFIGHTERS ASSOCIATION*

OFFICE USE ONLY

PAID: CHECK # _____

CASH _____

DATE PAID: _____